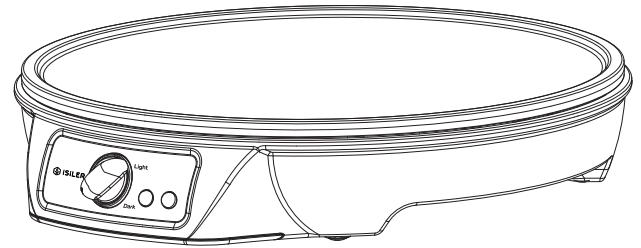




Electric Crepe Maker

SW-603



User Manual ▶

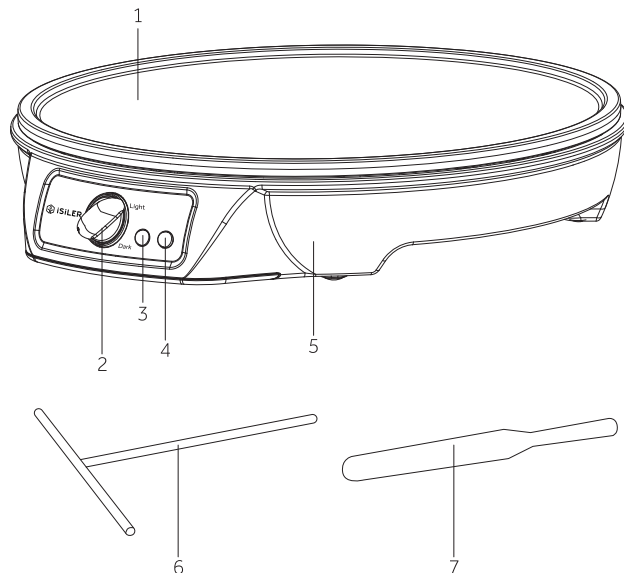
Thank you for purchasing this product. To ensure proper use and trouble-free operation, please read this manual carefully and store it in a safe place for future reference.

Important Safeguards

1. Check your power supply and make sure it is 120V before using the crepe maker.
2. This unit is supplied with a molded 3-prong grounding type plug and should be used in combination with a properly connected grounding-type outlet.
3. Always turn off the power at the power outlet before you insert or remove a plug. Remove by grasping the plug – do not pull on the cord.
4. Turn off the power and remove the plug when the appliance is not in use and before cleaning.
5. Do not use your appliance with an extension cord unless this cord has been checked and tested by a qualified technician or service person.
6. This appliance is not intended for use by persons (including children) with reduced physical, sensory or mental capabilities, or lack of experience and knowledge, unless they have been given supervision or instruction concerning use of the appliance by a person responsible for their safety.
7. Young children should be supervised to ensure that they do not play with the appliance.
8. Never leave an appliance unattended while in use.
9. Do not remove the unit or touch surfaces and edges of the cooking plate that may be very hot by or just after using.
10. To avoid a hazard due to instability, the appliance must be placed on a flat and even surface. Do not place it on an incline or move it while operating.
11. Do not use an appliance for any purpose other than its intended use.
12. Do not place an appliance on or near a hot gas flame, electric element or any other appliance.
13. Do not let the power cord of the appliance hang over the edge of a table or bench top or touch any hot surfaces.
14. Do not operate any appliance that has malfunctioned or has been damaged in any manner. In order to avoid the risk of an electric shock, never try to repair the appliance by yourself. Please ask a professional technician to repair and maintain the appliance, or contact the seller for help.
15. Do not immerse the appliance in water or any other liquids.
16. Do not use outdoors.

Product Profile

Before using your appliance for the first time, you should become familiar with all of the parts. Read all instructions and safeguards carefully.



1. Non-stick cooking plate
2. Thermostat knob
3. Power indicator light (red)
4. Ready indicator light (green)

5. Housing
6. Spreader
7. Spatula

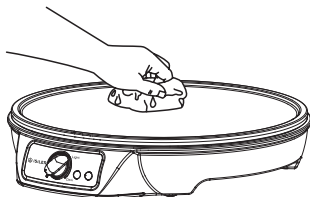
Technical Specifications

Model	SW-603
Voltage	120V
Frequency	50 / 60Hz
Power	1080W
Material	Aluminum, Bakelite
Cooking surface diameter	12in / 30.7cm
Weight	38.8oz / 1.1kg
Size	13 × 12.1 × 2.5in / 33 × 30.7 × 6.28cm
Power cable length	3.6ft / 1.1m
Temperature range	320-428 (±68)°F / 160-220 (±20)°C

Operating Instructions

Before the first use

1. Before using the appliance for the first time, peel off any promotional materials and packaging materials.
2. Check that the cooking plate is clean and free of dust. If necessary, wipe over with a damp cloth. After that, dry the cooking plate before cooking to prevent any splashing.



3. For best results, pour a teaspoon of vegetable oil onto the non-stick plate. Spread over with an absorbent kitchen towel and wipe off any excess oil.
4. Prevent water from running into the appliance.

Using your appliance

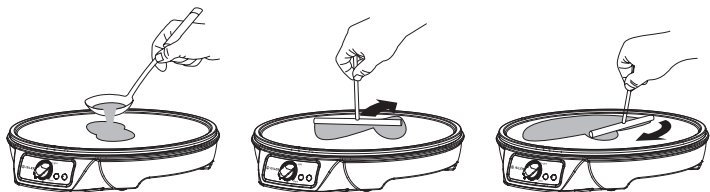
1. Place the unit on a level surface making sure it is not in contact with a wall, corner or curtain.
2. Plug the appliance into the power socket. The thermostat knob will be at the "0" position, and both the red indicator light and green indicator light will turn on.
3. Turn the thermostat knob to the "Dark" position to preheat the appliance. Note that the green indicator light will turn off when the knob is rotated from the "Light" to "Dark" position.

Note: When the appliance is heated for the first time, it may give off some smoke or slight odor. This is normal with many heating appliances. This does not affect the safety of your appliance.

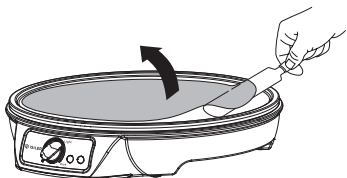
4. When the appliance is preheated for 3-5 minutes, the green indicator light will turn on, indicating that you may begin to cook your food. The green indicator light will turn off after 30 seconds. After 2-3 minutes, it will turn on again. This process will repeat, with the red indicator always on.
Note: The green indicator light will turn on and off during the cooking process, indicating that the appliance is heating up properly.
5. For best results, lightly spray the cooking plate with a cooking oil spray before cooking. This will assist in the removal of the crepes after cooking.



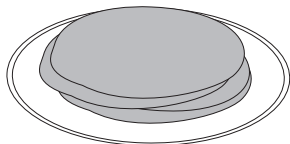
6. Pour crepe batter onto the baking plate and spread it with a circular movement using the batter spreader. To ensure consistent crepe thickness and to avoid excess batter spilling over the edges, just add enough batter to fill the entire cooking plate.



7. Allow the crepe to cook until the surface is no longer liquid and the crepe can be moved slightly.
8. Using the spatula, lift and flip the crepe completely.



9. Continue to cook on this side until the underside is browned slightly and easily lifted.
10. Adjust the temperature as needed after the first crepe is done.
11. Never cut crepes on the baking plate. Use only wooden or heatproof plastic utensils to avoid scratching the non-stick coating.
12. Repeat the above steps as needed, stack crepes together or layer it between sheets of wax paper.



Tips

1. Always spread out the batter in a clockwise direction and never go backwards.
2. If required, apply gentle pressure with the spreader on the hot plate when rotating it.
3. Always make sure the batter has no lumps, sieve it if required.
4. Certain ready-made batters are not designed to be spread out with the spreader.
5. To ensure the coating of the hot plate has a long life expectancy, do not overgrease it.

Cleaning and Maintenance

1. Always unplug the appliance before cleaning. Make sure it is cool and dry before storage.
2. The cooking plate is non-stick, therefore just little cleaning is required. Simply wipe cooking plate over with a damp cloth.
3. Do not immerse the appliance in water or other liquids.
4. Do not use abrasive scouring pads, powders or cleaners.
5. Do not place in the dishwasher.
6. Before next use, lightly grease the cooking plate for easy removal of cooked crepes.

Warranty and Contact

To ensure peace of mind, we provide you with a 24-month warranty from the date of purchase. This warranty covers any defects in materials, workmanship and malfunctions under normal use. If you have any problems concerning the product, please contact us via our after-sales service email and we will respond to you as soon as possible.

Email: support@isiler.com

Web: <http://isiler.com>